

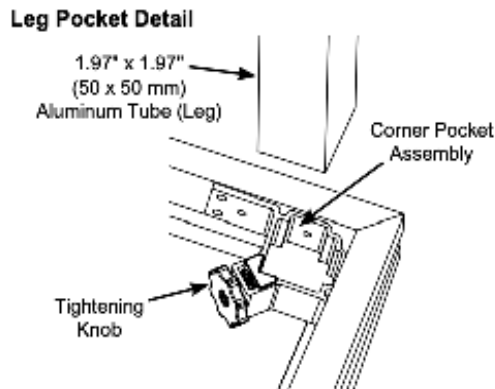
VERSALITE STAGING



INSTRUCTIONS

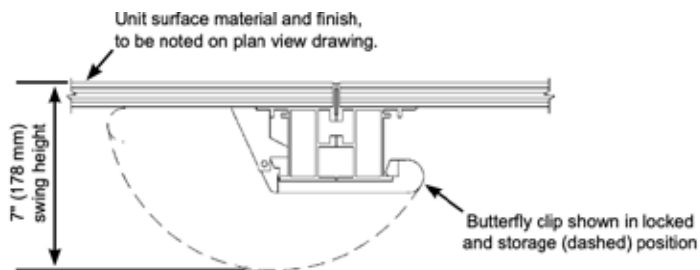
STEP 1

Place legs in corner slots and tighten the knob to secure legs.



STEP 2

When connecting multiple pieces, align pieces next to each other and fold over black locking clip. Squeeze clip together and attach to the next piece. Do this for all clips and attach floor together securely.



AFTER HOURS:

Contact your local branch.